

Spares Catalogue



T: +44 (0) 1782 599454
E: sales@dustcheck.com
W: www.dustcheck.com



About Us

Dustcheck is one of the UK's leading manufacturers of industrial process filtration, dust control and extraction systems.

Offering a comprehensive range of both cartridge and bag collectors, we design, build, install and commission process filtration and dust control plant for any dust, at any volume.

With an unrivalled reputation for quality and a client list spread across a wide range of industrial, manufacturing and processing sectors, our technically innovative and cost effective solutions exceed today's stringent demands for low energy consumption and emissions; ensuring a safer and cleaner operating environment.

Next day delivery is available on spares and we also operate a service division offering maintenance, product support, LEV and COSHH assessments for all dust control equipment and systems.



Contents

Page 04 - 05	Filter Features
Page 06 - 21	Filter Cartridges

Filter Features

With over 40 years experience in the Dust Control and Filtration industry we know our filters. Our dedicated team here at Dustcheck will always ensure we specify the right product and media for your process.

Dustcheck's range of high quality industrial air filtration products have efficiencies up to 99.995% and there is a filter for every application including fine dusts, high load levels and potentially explosive materials.

Our media range includes:

Polyester

- Efficiency 98% to 4 micron
- Cost efficient
- Anti-static options for static prone and explosive dusts



PTFE Membranes

- High efficiency (99% to 0.3 micron)
- Good product release on sticky particles
- Moisture resistant
- Anti-static options for static prone and explosive dusts



Cellulose

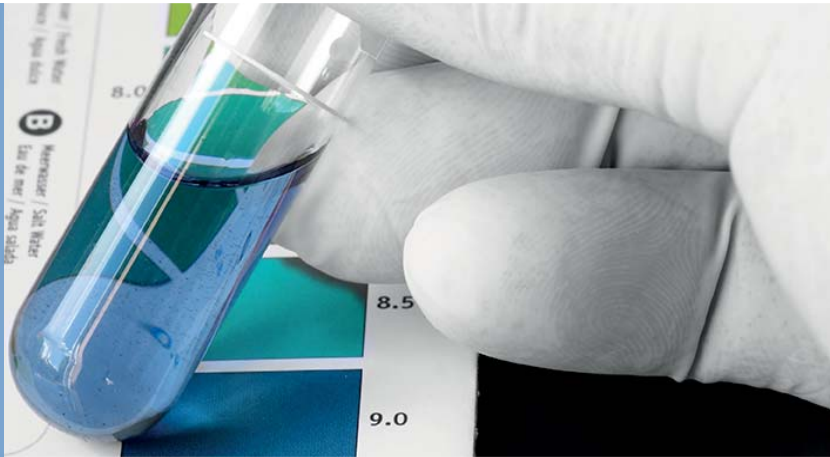
- Low cost



For more information contact the team today on
+44 (0) 1782 599454 or email sales@dustcheck.com

Polyphenol

- Efficient in high temperature processes
- High resistance to acid and alkaline materials



Polypropylene

- Higher efficiency mid-range product - 99% to 2 micron



Oil and Water resistant

- Good resistance to oil and water based processes
- Better product release on sticky particles



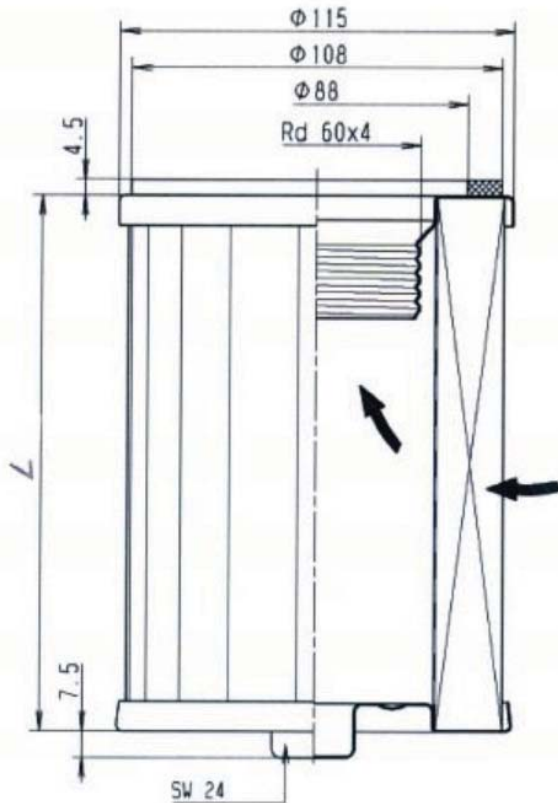
HEPA Rated

- HEPA rated medias are available across Dustcheck's complete product range
- Manufactured to H13 and H14 HEPA ratings
- Suitable for toxic processes
- Suitable where low emissions is an installation criteria
- Suitable for secondary filtration units where cleaned air is to be returned to the atmosphere



Please see our website for more information on any of our products at www.dustcheck.com

115 Dia Cartridge (Parallel)



Characteristics

- High loading capacity
- Good cleaning properties
- High stability
- Installation on the dirty or clean side
- Universally suitable

200mm Length Cartridge, dirty side removal - Parallel

Dustcheck Part No.	Media	Filter Surface (m ²)	Stainless Steel	High Temperature Glue	Banded	FDA Approved
VA03007	Cellulose / Polyester Blend	0.4				
VA03001	Polyester	0.4				
VA03002	Polyester	0.4	✓			
VA03005	Polyester with PTFE Membrane	0.4				
VA03003	Polyester - Antistatic	0.4				
VA03004	Polyester - Antistatic	0.4	✓			

300mm Length Cartridge, dirty side removal - Parallel

Dustcheck Part No.	Media	Filter Surface (m ²)	Stainless Steel	High Temperature Glue	Banded	FDA Approved
VA02001	Polyester	0.25				
VA02002	Polyester	0.25	✓			
VA02005	Polyester with PTFE Membrane	0.25				
VA02006	Polyester with PTFE Membrane	0.25	✓			
VA02003	Polyester - Antistatic	0.25				
VA02004	Polyester - Antistatic	0.25	✓			
VA02008	Polyester with PTFE Membrane - Antistatic	0.25	✓			

For more information contact the team today on
 +44 (0) 1782 599454 or email sales@dustcheck.com

115 Dia Cartridge (Parallel)

Materials

Inner core: Galvanized steel (standard) or stainless steel V4A

End caps: Galvanized steel (standard) or stainless steel V4A

Seal: Self-adhesive needle felt

Cleaning

Nozzle: Multi jet nozzle

Cleaning pressure: 6 bar (max. 7 bar)

Differential pressure: Max. 18 mbar

Compressed air consumption per cleaning pulse: 9 l (i.N.)

Compressed air reservoir capacity: Max. 2.1 per filter cartridge/cleaning pulse

400mm Length Cartridge, dirty side removal - Parallel

Dustcheck Part No.	Media	Filter Surface (m ²)	Stainless Steel	High Temperature Glue	Banded	FDA Approved
VA04010	Cellulose / Polyester Blend	0.5	✓			
VA04001	Polyester	0.5			✓	
VA04002	Polyester	0.5	✓		✓	
VA04005	Polyester with PTFE Membrane	0.5			✓	
VA04006	Polyester with PTFE Membrane	0.5	✓		✓	
VA04009	Polypropylene	0.5	✓		✓	
VA04003	Polyester - Antistatic	2.5			✓	
VA04004	Polyester - Antistatic	2.5	✓		✓	
VA04011	Polyester with PTFE Membrane - Antistatic	0.5	✓		✓	

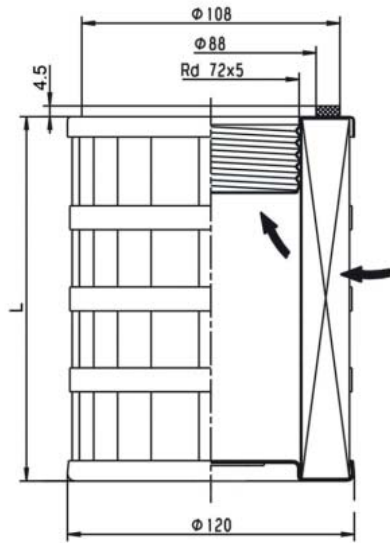
600mm Length Cartridge, dirty side removal - Parallel

Dustcheck Part No.	Media	Filter Surface (m ²)	Stainless Steel	High Temperature Glue	Banded	FDA Approved
VA06003	Polyester	1				
VA06005	Polyester	1	✓		✓	
VA06006	Polyester - Antistatic	0.8			✓	
VA06007	Polyester - Antistatic	0.8	✓		✓	
VA06011	Polypropylene	0.8	✓		✓	

1000mm Length Cartridge, dirty side removal - Parallel

Dustcheck Part No.	Media	Filter Surface (m ²)	Stainless Steel	High Temperature Glue	Banded	FDA Approved
VA10001	Cellulose / Polyester Blend	1.3				
VA10004	Polyester	1.65				
VA10003	Polyester	1.3	✓			

120 Dia Cartridge (Parallel)



Characteristics

- Very high loading capacity
- Improved cleaning properties
- High stability
- Installation on the raw gas side
- Universally suitable

Materials

Inner core: Galvanized steel (standard) or stainless steel V4A - AISI 316
 End caps: Galvanized steel (standard) or stainless steel V4A - AISI 316
 Seal: Self-adhesive needle felt

Cleaning

Nozzle: Multi-jet nozzle G3/8
 Cleaning pressure: 4 bar to 6 bar (max. 7 bar)
 Differential pressure: Max. 18 mbar
 Compressed air consumption per cleaning pulse: 9l (fad)
 Compressed air reservoir capacity: approx. 2 l per filter cartridge

200mm Length Cartridge - Parallel

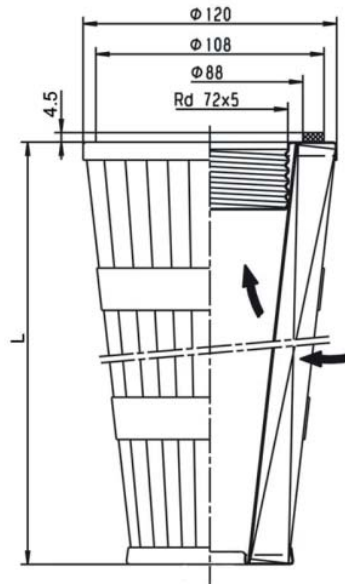
Dustcheck Part No.	Media	Filter Surface (m ²)	Stainless Steel	High Temperature Glue	Banded	FDA Approved
VE02001	Polyester with PTFE Membrane - Antistatic	0.15	✓			
VB02001	Polyester	0.3				
VB02002	Polyester	0.3	✓			
VB02012	Polyester	0.3	✓			✓
VB02006	Polyester with PTFE Membrane	0.3				
VB02005	Polyester with PTFE Membrane	0.3	✓			
VB02003	Polyester with PTFE Membrane - Antistatic	0.3				
VB02004	Polyester with PTFE Membrane - Antistatic	0.3	✓			
VB02008	Polyester with PTFE Membrane - Antistatic	0.3	✓			✓
VB02007	Polyester - Antistatic	0.3				
VB02010	Polyester - Antistatic	0.3	✓			
VB02009	Glass Fibre	0.3	✓			✓
VB02011 - Flow inside to out	Polyester with PTFE Membrane - Antistatic	0.3	✓			

For more information contact the team today on
 +44 (0) 1782 599454 or email sales@dustcheck.com

120 Dia Cartridge (Conical)

Characteristics

- Very high loading capacity
- Improved cleaning properties
- Optimised flow conditions
- High stability
- Installation on the raw gas side
- Universally suitable



Materials

Inner core: Galvanized steel (standard) or stainless steel V4A - AISI 316

End caps: Galvanized steel (standard) or stainless steel V4A - AISI 316

Seal: Self-adhesive needle felt

Cleaning

Nozzle: Multi-jet nozzle G3/8

Cleaning pressure: 4 bar to 6 bar (max. 7 bar)

Differential pressure: Max. 18 mbar

Compressed air consumption per cleaning pulse: 9l (fad)

Compressed air reservoir capacity: approx. 2 l per filter cartridge

300mm Length Cartridge - Conicle

Dustcheck Part No.	Media	Filter Surface (m ²)	Stainless Steel	High Temperature Glue	Banded	FDA Approved
VC03001	Polyester	0.5				
VC03002	Polyester	0.5	✓			
VC03009	Polypropylen	0.5	✓			
VC03003	Polyester - Antistatic	0.5				
VC03004	Polyester - Antistatic	0.5	✓			
VC03005	Polyester with PTFE Membrane	0.5				
VC03006	Polyester with PTFE Membrane	0.5	✓			
VC03007	Polyester with PTFE Membrane - Antistatic	0.5				
VC03008	Polyester with PTFE Membrane - Antistatic	0.5	✓			
VC03013	Polyester with PTFE Membrane - Antistatic	0.25	✓			✓
VC03011	Stainless Steel wire mesh	0.25	✓			✓
VC03010	Polyester - Oil and water repellent	0.5				

120 Dia Cartridge (Conical)

600mm Length Cartridge - Conical

Dustcheck Part No.	Media	Filter Surface (m ²)	Stainless Steel	High Temperature Glue	Banded	FDA Approved
VC06003	Polyester	1				
VC06004	Polyester	1	✓			
VC06009	Cellulose/ Polyester carrier	1				
VC06012	Cellulose/ Polyester carrier	1	✓			
VC06021	Polypropylen	1	✓			
VC06007	Polyester - Antistatic	1				
VC06008	Polyester - Antistatic	1	✓			
VC06030	Polyester - Antistatic	1	✓			✓
VC06005	Polyester with PTFE Membrane	1				
VC06016	Polyester with PTFE Membrane	1	✓			
VC06027	Polyester with PTFE Membrane	1		✓		
VC06028	Polyester with PTFE Membrane	1	✓	✓		
VC06026	Polyester with PTFE Membrane - Class 2	1				
VC06011	Polyester with PTFE Membrane - Antistatic	1				
VC06014	Polyester with PTFE Membrane - Antistatic	1	✓			
VC06029	Polyester with PTFE Membrane - Antistatic	1	✓			✓
VC06015	Stainless Steel wire mesh	0.5				
VC06023	Polyphenyl sulphide with PTFE Membrane	1	✓			
VC06018	Polyphenyl sulphide with PTFE Membrane	0.8	✓			✓
VC06022	Polyphenyl sulphide with PTFE Membrane	0.5	✓			
VC06024	Polyester - Oil and water repellent	1				
VC06025	Polyester - Oil and water repellent	1	✓			

1000mm Length Cartridge - Conical

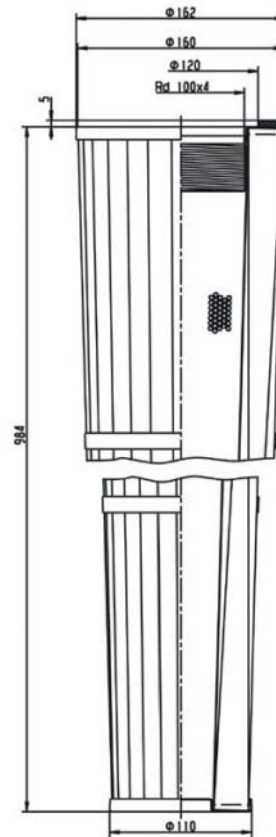
Dustcheck Part No.	Media	Filter Surface (m ²)	Stainless Steel	High Temperature Glue	Banded	FDA Approved
VC10003	Polyester	1.6				
VC10004	Polyester	1.6	✓			
VC10014	Polyester - with perforated metal externally	1.6		✓		
VC10010	Cellulose/ Polyester carrier	1.6				
VC10012	Cellulose/ Polyester carrier	1.6	✓			
VC10008	Polyester - Antistatic	1.6				
VC10009	Polyester - Antistatic	1.6	✓			
VC10015	Polyester - Antistatic -with perforated metal externally	1.6		✓		
VC10005	Polyester with PTFE Membrane	1.6				
VC10013	Polyester with PTFE Membrane	1.6	✓			
VC10019	Polyester with PTFE Membrane	1.6	✓			✓
VC10022	Polyester with PTFE Membrane - Class 2	1.6				
VC10007	Polyester with PTFE Membrane - Antistatic	1.6				
VC10011	Polyester with PTFE Membrane - Antistatic	1.6	✓			
VC10017	Polyester with PTFE Membrane - Antistatic	1.6	✓			✓
VC10023	Polyester with PTFE Membrane - Antistatic	1.6	✓	✓		
VC10018	Polyphenyl sulphide with PTFE Membrane	1.6	✓			
VC10020	Polyester - Oil and water repellent	1.6				
VC10021	Polyester - Oil and water repellent	1.6	✓			

For more information contact the team today on
 +44 (0) 1782 599454 or email sales@dustcheck.com

160 Dia Cartridge (Conical)

Characteristics

- Very high loading capacity
- High stability
- Excellent cleaning properties
- Optimized flow conditions
- Universally suitable
- Large filter surface
- Wide range of optimized filter media
- Optimized energy efficiency



Materials

Inner core: Galvanized steel (standard) or stainless steel V4A - AISI 316
 End caps: PA66 GF25 (standard) or stainless steel V4A - AISI 316
 Seal: EPDM or silicone foam

Cleaning

Nozzle: Multi-jet nozzle G3/4
 Cleaning pressure: 4 bar to 6 bar (max. 7 bar)
 Differential pressure: Max. 18 mbar
 Compressed air consumption per cleaning pulse: 23l (fad)
 Compressed air reservoir capacity: approx. 5 l per cartridge

600mm Length Cartridge - Conical

Dustcheck Part No.	Media	Filter Surface (m ²)	Stainless Steel	High Temperature Glue	Banded	FDA Approved
VK06001	Polyester	2.2				
VK06003	Polyester	2.2				
VK09024	Polyester - Antistatic	2.2				

600mm Length Cartridge - Conical with removable inner core

Dustcheck Part No.	Media	Filter Surface (m ²)	Stainless Steel	High Temperature Glue	Banded	FDA Approved
VM06001	Polyester - Antistatic	2.2				

Please see our website for more information on any of our products at www.dustcheck.com

160 Dia Cartridge (Conical)

1000mm Length Cartridge - Conical DSR to suit RD100 adaptor

Dustcheck Part No.	Media	Filter Surface (m ²)	Stainless Steel	High Temperature Glue	Banded	FDA Approved
VM10001	Polyester	3.5				
VM10002	Polyester	3.5	✓			
VM10009	Polyester - Antistatic	2.5				
VM10003	Polyester - Antistatic	3.5				
VM10004	Polyester - Antistatic	3.5	✓			
VM10005	Polyester with PTFE Membrane	2.5				
VM10010	Polyester with PTFE Membrane	3.5				
VM10006	Polyester with PTFE Membrane	2.5	✓			
VM10007	Polyester with PTFE Membrane - Antistatic	2.5				
VM10008	Polyester with PTFE Membrane - Antistatic	2.5	✓			
VM10011	Polyester - Oil and water repellent	3.5				

1200mm Long - Conical with fixed inner core

Dustcheck Part No.	Media	Filter Surface (m ²)	Stainless Steel	Zinc Plated	High Temperature Glue	Banded	FDA Approved
VK12001	Polyester	4.2				✓	

160 Dia Cartridge (Parallel)

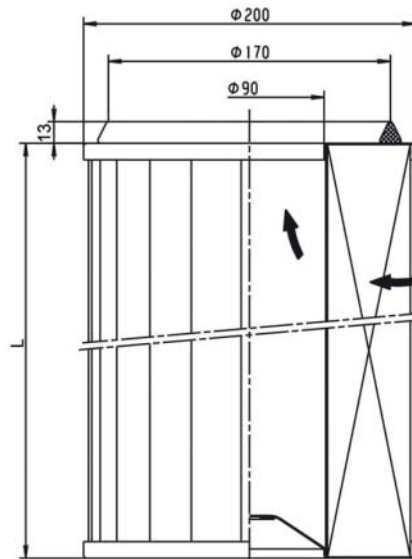
1200mm Long - Conical with fixed inner core

Dustcheck Part No.	Media	Filter Surface (m ²)	Stainless Steel	Zinc Plated	High Temperature Glue	Banded	FDA Approved
VL09002	Polyester	4					

200 Dia Cartridge (Parallel)

Characteristics

- High loading capacity
- Improved cleaning properties
- High stability
- Installation on dirt side
- Universally suitable
- Optimised filter material



Materials

Inner core: Galvanized steel
 End caps: Galvanized steel
 Seal: PUR soft material

Cleaning

Nozzle: Multi-jet nozzle G1
 Cleaning pressure: 3 bar to 4 bar (max. 5 bar)
 Differential pressure: Max. 18 mbar
 Compressed air consumption per cleaning pulse: 23l (fad) per cleaning pulse
 Compressed air reservoir capacity: approx. 5 l per filter cartridge

400mm Long - Dirty Side removal - Parallel

Dustcheck Part No.	Media	Filter Surface (m ²)	Stainless Steel	High Temperature Glue	Banded	FDA Approved
WA04011	Polyester with PTFE Membrane	2.5				
WA04012	Polyester with PTFE Membrane	2.5	✓			
WA04001	Polyester	2.5				
WA04002	Polyester	2.5	✓			
WA04003	Polyester	5				
WA04004	Polyester	5	✓			
WA04013	Polyester - Antistatic	2.5				
WA04005	Cellulose / Polyester Blend	2.5				
WA04006	Cellulose / Polyester Blend	5				
WA04007	Cellulose / Polyester Blend	5	✓			

284 Dia Cartridge (Parallel)

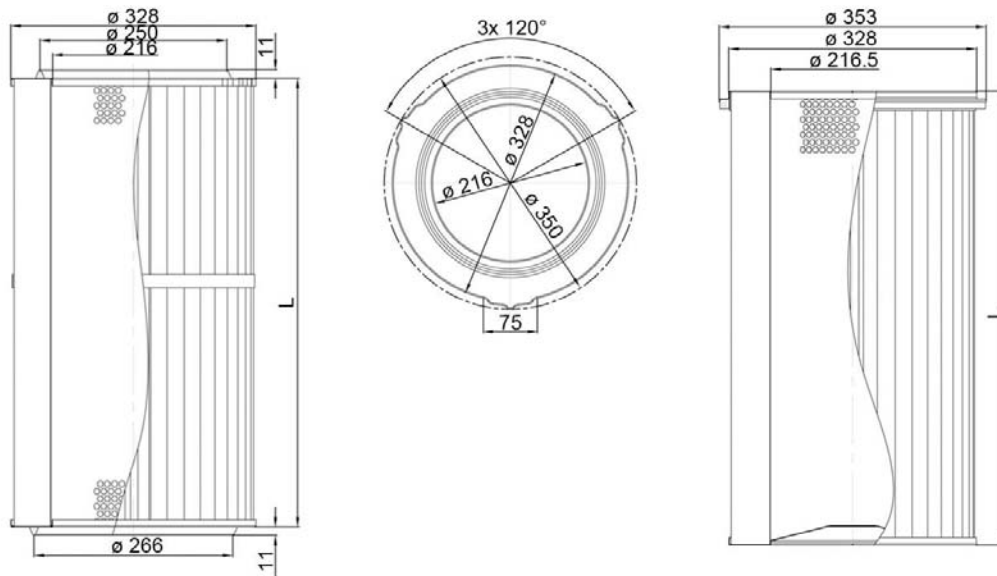
284mm Long - Dirty Side removal - Parallel

Dustcheck Part No.	Media	Filter Surface (m ²)	Stainless Steel	High Temperature Glue	Banded	FDA Approved
WA02001	Polyester with PTFE Membrane	3.3				

600mm Long - Dirty Side removal - Parallel

Dustcheck Part No.	Media	Filter Surface (m ²)	Stainless Steel	High Temperature Glue	Banded	FDA Approved
WD06001	Polyester - Antistatic	3			✓	

328 Dia Cartridge (Parallel)



Characteristics

- High loading capacity
- Improved cleaning properties
- Optimised flow conditions
- Defined pleat allocation for best performance
- High stability
- Installation on the raw or clean gas side
- Universally suitable
- Reliable operation
- Large filter surface
- Optimised filter materials
- High energy efficiency

Materials

Inner core: Galvanized steel (standard) or stainless steel V4A
End caps: Galvanized steel (standard) or stainless steel V4A
Seal: Self adhesive needle felt alternative silicone form seal/
O-Ring

Cleaning

Cleaning unit: Multi-jet nozzle (MJD) G1 Rotating wing (RLD)
Cleaning pressure: MJD 6 bar (max. 7 bar) RLD 3 - 4 bar (max. 4.2 bar)
Differential pressure: Max. 18 mbar
Compressed air consumption: MJD max. 96 l (fad) RLD max. 80 l (i.N.)
Pressure vessel capacity: max . 32 l per filter cartridge/cleaning unit

328 Dia Cartridge (Parallel)

300mm Long - Standard end cap - dirty side removal - parallel

Dustcheck Part No.	Media	Filter Surface (m ²)	Stainless Steel	High Temperature Glue	Banded	FDA Approved
WK03001	Cellulose / Polyester Blend	7.5				

300mm Long - Standard end cap - clean side removal - parallel

Dustcheck Part No.	Media	Filter Surface (m ²)	Stainless Steel	High Temperature Glue	Banded	FDA Approved
WM03001	Cellulose / Polyester Blend	5				
WM03002	Cellulose / Polyester Blend	5	✓			
WM03003	Polyester	5				
WM03004	Polyester	5	✓			
WM03008	Polyester - Antistatic	3.7				
WM03005	Polyester - Antistatic	5				
WM03006	Polyester - Antistatic	5	✓			
WM03007	Polyester with PTFE Membrane	3.7	✓			
WM03011	Polyester with PTFE Membrane - Antistatic	5				
WM03010	Polyester with PTFE Membrane - Antistatic	5	✓			

300mm Long -Re-usable end cap, dirty side removal - parallel

Dustcheck Part No.	Media	Filter Surface (m ²)	Stainless Steel	High Temperature Glue	Banded	FDA Approved
WL03015	Cellulose / Polyester Blend	5				
WL03002	Cellulose / Polyester Blend	5	✓			
WL03003	Cellulose / Polyester Blend	6.3			✓	
WL03004	Cellulose / Polyester Blend	6.3	✓			
WL03025	Cellulose / Polyester Blend	6.3				
WL03009	Polyester	3.7				
WL03007	Polyester	5				
WL03008	Polyester	5	✓			
WL03020						
WL03019	Cellulose/ Polyester carrier	3.7				
WL03022	Polyester - Antistatic	5				
WL03029	Polyester - Antistatic	5	✓			
WL03023	Polyester - Antistatic	5			✓	
WL03012	Polyester with PTFE Membrane	5	✓			
WL03011	Polyester with PTFE Membrane	5				
WL03013	Polyester with PTFE Membrane	2.4				
WL03014	Polyester with PTFE Membrane	2.4	✓			
WL03018	Polyester with PTFE Membrane	3.7				
WL03024	Polyester with PTFE Membrane - Antistatic	5				
WL03028	Polyester with PTFE Membrane - Antistatic	5	✓			
WL03026	Glass Fibre	4				
WL03027	Glass Fibre	4	✓			

328 Dia Cartridge (Parallel)

600mm Long - Standard end cap, Clean side removal - Parallel

Dustcheck Part No.	Media	Filter Surface (m ²)	Stainless Steel	High Temperature Glue	Banded	FDA Approved	NOK Technology
WM06001	Cellulose / Polyester Blend	10					
WM06003	Polyester	5					
WM06004	Polyester	7.5					
WM06005	Polyester	10			✓		
WM06006	Polyester	10	✓				
WM06018	Cellulose/ Polyester carrier	7.5					
WM06015	Cellulose/ Polyester carrier	10					
WM06011	Polyester - Antistatic	7.5					
WM06016	Polyester - Antistatic	7.5	✓				
WM06017	Polyester - Antistatic	10	✓				
WM06023	Polyester with PTFE Membrane	5					
WM06007	Polyester with PTFE Membrane	7.5					
WM06009	Polyester with PTFE Membrane	10					
WM06025	Polyester with PTFE Membrane	10	✓				
WM06010	Polyester with PTFE Membrane - Antistatic	7.5					
WM06019	Polyester with PTFE Membrane - Antistatic	10					
WM06022	Polyester with PTFE Membrane - Antistatic	7.5	✓				

600mm Long - Standard end cap, Dirty side removal - Parallel

Dustcheck Part No.	Media	Filter Surface (m ²)	Stainless Steel	High Temperature Glue	Banded	FDA Approved	NOK Technology
WK06020	Cellulose / Polyester Blend	13					
WK06005	Polyester	10					✓
WK06021	Polyester	10	✓				
WK06018	Polyester - Antistatic	5	✓				
WK06013	Polyester - Antistatic	10					✓
WK06016	Polyester - Antistatic	10	✓				
WK06009	Polyester with PTFE Membrane	7.5					
WK06010	Polyester with PTFE Membrane	7.5	✓				

328 Dia Cartridge (Parallel)

600mm Long - Standard end cap, Clean side removal - Parallel

Dustcheck Part No.	Media	Filter Surface (m ²)	Stainless Steel	High Temperature Glue	Banded	FDA Approved	NOK Technology
WL06034	Cellulose / Polyester Blend	13					
WL06048	Cellulose / Polyester Blend	13			✓		
WL06004	Cellulose / Polyester Blend	13	✓				
WL06037	Cellulose / Polyester Blend	16					
WL06009	Polyester	7.5					✓
WL06010	Polyester	7.5	✓				
WL06035	Polyester	10					✓
WL06047	Polyester	10			✓		✓
WL06008	Polyester	10	✓				
WL06049	Polyester	10			✓		
WL06066	Polyester	10	✓		✓		
WL06082	Polyester - Oil and water repellent	10					
WL06083	Polyester - Oil and water repellent	10			✓		
WL06036	Cellulose/ Polyester carrier	7.5					✓
WL06024	Cellulose/ Polyester carrier	10			✓		
WL06018	Polyester - Antistatic	7.5					
WL06051	Polyester - Antistatic	7.5			✓		
WL06079	Polyester - Antistatic	7.5	✓		✓		
WL06021	Polyester - Antistatic	10					✓
WL06050	Polyester - Antistatic	10			✓		✓
WL06044	Polyester - Antistatic	10	✓				
WL06073	Polyester - Antistatic	10	✓		✓		
WL06012	Polyester with PTFE Membrane	5					
WL06014	Polyester with PTFE Membrane	7.5					
WL06069	Polyester with PTFE Membrane	7.5			✓		
WL06015	Polyester with PTFE Membrane	7.5	✓				
WL06016	Polyester with PTFE Membrane	10					
WL06038	Polyester with PTFE Membrane	10	✓				
WL06081	Polyester with PTFE Membrane - Class 2	7.5					
WL06087	Polyester with PTFE Membrane - Class 2	10					
WL06030**	Polyester with PTFE Membrane - Antistatic	5					
WL06027	Polyester with PTFE Membrane - Antistatic	7.5					✓
WL06067	Polyester with PTFE Membrane - Antistatic	7.5			✓		
WL06053	Polyester with PTFE Membrane - Antistatic	7.5	✓				
WL06085	Polyester with PTFE Membrane - Antistatic	7.5	✓		✓		
WL06028	Polyester with PTFE Membrane - Antistatic	10					
WL06039	Polyester with PTFE Membrane - Antistatic	10	✓				
WL06065	Polyester with PTFE Membrane - Antistatic	10			✓		
WL06070	Polyester with PTFE Membrane - Antistatic	10	✓		✓		
WL06061	Glass Fibre	10					
WL06086	Glass Fibre	10			✓		
WL06064	Glass Fibre	10	✓				
WL06076							
WL06080	M-Web	18			✓		

** 1000 micron wire mesh which is pleated with media to give stability to pleats

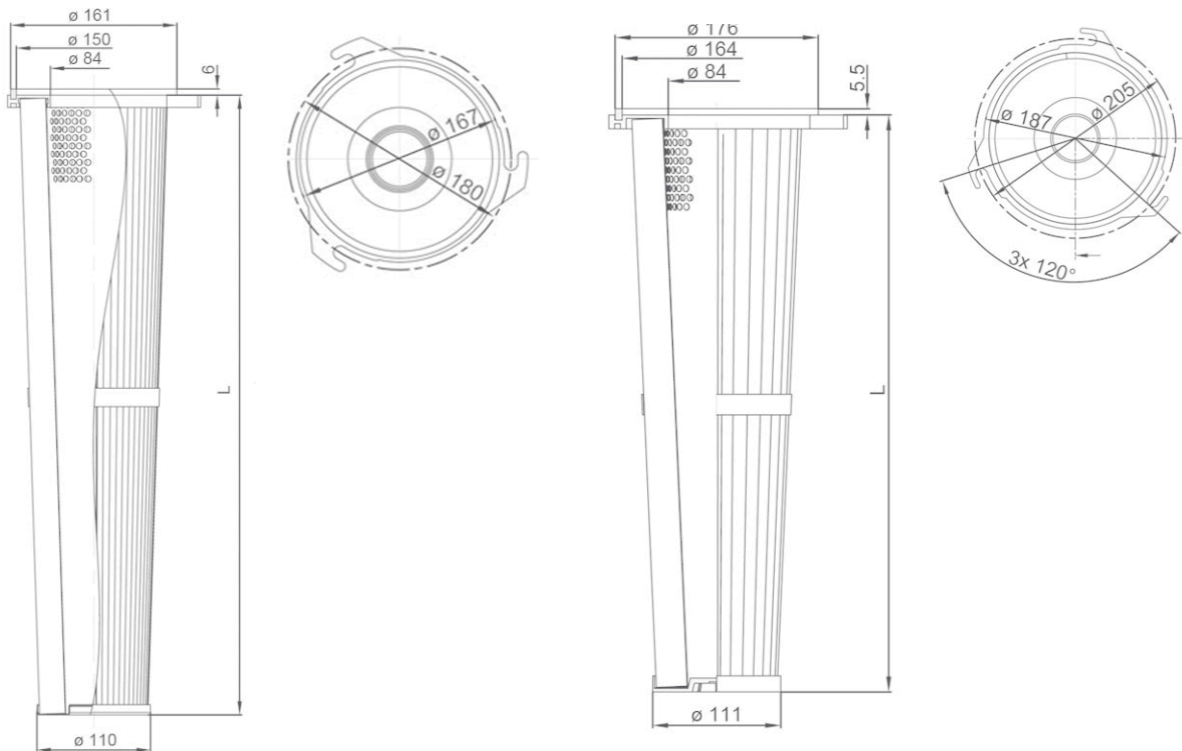
660mm Long - Parallel

Dustcheck Part No.	Media	Filter Surface (m ²)	Stainless Steel	Zinc Plated	High Temperature Glue	Banded	FDA Approved	NOK Technology
WK06023**	M-Web	21						
WK06024	Polyester - Antistatic	11				✓		✓

** Expanded metal inside and outside

For more information contact the team today on
 +44 (0) 1782 599454 or email sales@dustcheck.com

328 Dia Cartridge (Conical)



Characteristics

- Very high loading capacity
- Improved cleaning properties
- Optimised flow conditions
- High stability
- Installation on the raw or clean gas side
- Universally suitable
- For high volume flow
- Optimised filter media

Materials

Inner core: Galvanized steel (standard)

End caps: Galvanized steel/ aluminium (standard)

Seal: NBR-seal fitted into notch (ø 328 NKH version glued in)

Cleaning

Nozzle: ø 145/156 mm - Multi jet nozzle G3/8

ø 220 mm - Multi jet nozzle G3/4

ø 328 mm - Multi jet nozzle G1

Cleaning pressure: 4 to 6 bar (max. 7 bar)

Differential pressure: max. 18 mbar

Compressed air consumption per cleaning pulse: 6 to 90 l (fad)

Compressed air reservoir capacity: approx. 2 - 32 l per filter cartridge/ cleaning pulse

328 Dia Cartridge (Conical)

600mm Long - Fixed end cap, Dirty side removal - Conical

Dustcheck Part No.	Media	Filter Surface (m ²)	Stainless Steel	High Temperature Glue	Banded	FDA Approved	NOK Technology
WJ06001	Polyester	7.5			✓		
WJ06007	Polyester - Antistatic	7.5			✓		
WJ06002	Polyester with PTFE Membrane	7.5			✓		
WJ06004	Polyester with PTFE Membrane - Antistatic	7.5			✓		
WJ06006	Polyester with PTFE Membrane - Antistatic	7.5	✓		✓		

600mm Long - Fixed end cap, Dirty side removal, bayonet fitting - Conical

Dustcheck Part No.	Media	Filter Surface (m ²)	Stainless Steel	High Temperature Glue	Banded	FDA Approved	NOK Technology
WJ06003	Polyester	7.5			✓		
WJ06005	Polyester with PTFE Membrane - Antistatic	7.5	✓	✓	✓		
WJ06009	Polyester - Antistatic	7.5			✓		

1000mm Long - Fixed end cap, Dirty side removal, bayonet fitting - Conical

Dustcheck Part No.	Media	Filter Surface (m ²)	Stainless Steel	High Temperature Glue	Banded	FDA Approved	NOK Technology
WJ10002	Polyester	12.5			✓		
WJ10003	Polyester - Antistatic	12.5			✓		
WJ10004	Polyester with PTFE Membrane	12.5	✓		✓		
WJ10008	Polyester with PTFE Membrane	12.5			✓		
WJ10005	Polyester with PTFE Membrane - Antistatic	12.5	✓		✓		

1000mm Long - Reusable end cap, Dirty side removal - Conical

Dustcheck Part No.	Media	Filter Surface (m ²)	Stainless Steel	High Temperature Glue	Banded	FDA Approved	NOK Technology
WL10002	Polyester	16					

1200mm Long - Fixed end cap, dirty side removal, tie rod fixing

Dustcheck Part No.	Media	Filter Surface (m ²)	Stainless Steel	High Temperature Glue	Banded	FDA Approved	NOK Technology
WK12001	Polyester - Antistatic	15			✓		
WK12002	Polyester - Antistatic	20			✓		

338 Dia Cartridge (Conical)

Characteristics

- High volume flows
- Optimised flow conditions
- Improved cleaning properties
- Easy mounting
- Minimal clearance required

Materials

Inner core: Galvanized steel
End caps: Galvanized steel
Seal: PUR soft material

Cleaning

Cleaning unit: Multi-jet nozzle G1
Cleaning pressure: 4 bar to 6 bar
(max. 7 bar)
Differential pressure: Max. 15 mbar

600mm Long - Dirty side removal, quick lock - Conical

Dustcheck Part No.	Media	Filter Surface (m ²)	Stainless Steel	High Temperature Glue	Banded	FDA Approved	NOK Technology
WJ06010	Polyester	7.5			✓		
WJ06008	Polyester - Antistatic	7.5			✓		
WJ10001	Polyester	12.5			✓		
WJ10006	Polyester - Antistatic	12.5			✓		
WJ10009	Polyester with PTFE Membrane	12.5			✓		

1000mm Long - Dirty side removal, quick lock - Conical - Conical

Dustcheck Part No.	Media	Filter Surface (m ²)	Stainless Steel	High Temperature Glue	Banded	FDA Approved	NOK Technology
WJ10011	Polyester - Antistatic	12.5					
WJ10010	Polyester with PTFE Membrane	12.5					

1200mm Long - Dirty side removal, quick lock - Conical

Dustcheck Part No.	Media	Filter Surface (m ²)	Stainless Steel	High Temperature Glue	Banded	FDA Approved	NOK Technology
WJ12001	Polyester	15				✓	
WJ12002	Polyester - Antistatic	15				✓	
WJ12007	Polyester - Antistatic	15					
WJ12009	Polyester - Antistatic	15	✓			✓	
WJ12008	Polyester - Antistatic	15	✓				
WJ12004	Polyester with PTFE Membrane	15				✓	
WJ12003	Polyester with PTFE Membrane - Antistatic	15				✓	
WJ12005	Polyester - Oil and water repellent	15				✓	
WJ12011	Polyester - Oil and water repellent	15					

Dustcheck Limited
Environmental House
Oldfields Business Park
Galveston Grove
Fenton
Stoke on Trent
Staffordshire
ST4 3PE
England

Telephone: +44 (0) 1782 599454
Facsimile: +44 (0) 1782 599478
Email: sales@dustcheck.com
Web: www.dustcheck.com

Please follow us on:

