

| Model | Filter Area (m ²) | Cartridge Qty | Approx Weight (Kg) |
|-------------|-------------------------------|---------------|--------------------|
| SFJ1-7-5-06 | 7.5 | 1 | 220 |
| SFJ1-10-06 | 10 | 1 | 220 |
| SFJ1-13-06 | 13 | 1 | 220 |

TECHNICAL SPECIFICATION

ELECTRICAL SUPPLY:

Cleaning controller - 24v DC / 110/230v 1ph 50hz (by client)
 Solenoid Valve - 24v DC
 1.1kW Fan Set - 400v 3ph 50Hz

CONSTRUCTION:

Material - Mild Steel
 Finish - Ra17032, Light Grey
 Welds - See Quotation

Vacuum & Pressure Rating - See Quotation

COMPRESSED AIR:

Pressure - 6 bar max.
 Consumption - 5.1 m³/hr (for SFKJ4 to SFKJ9)
 (Based on 15 sec interval & 100msec. pulse)

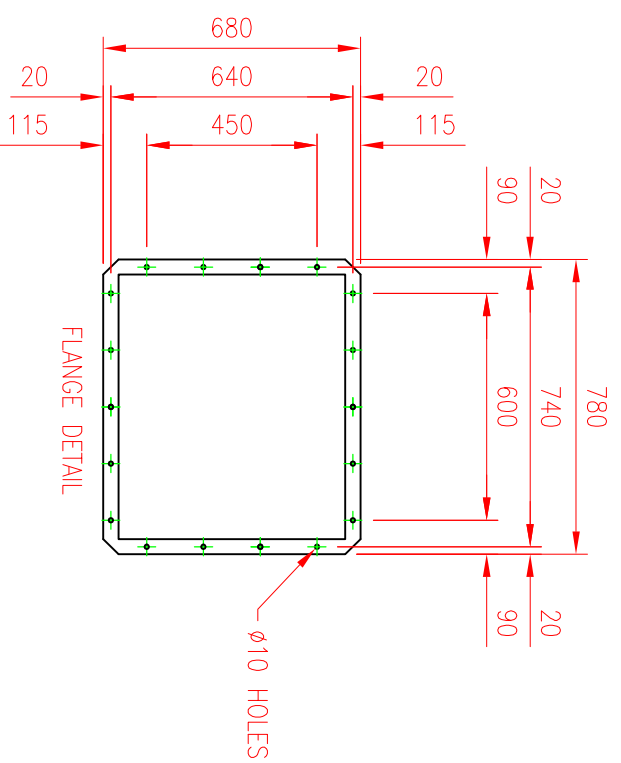
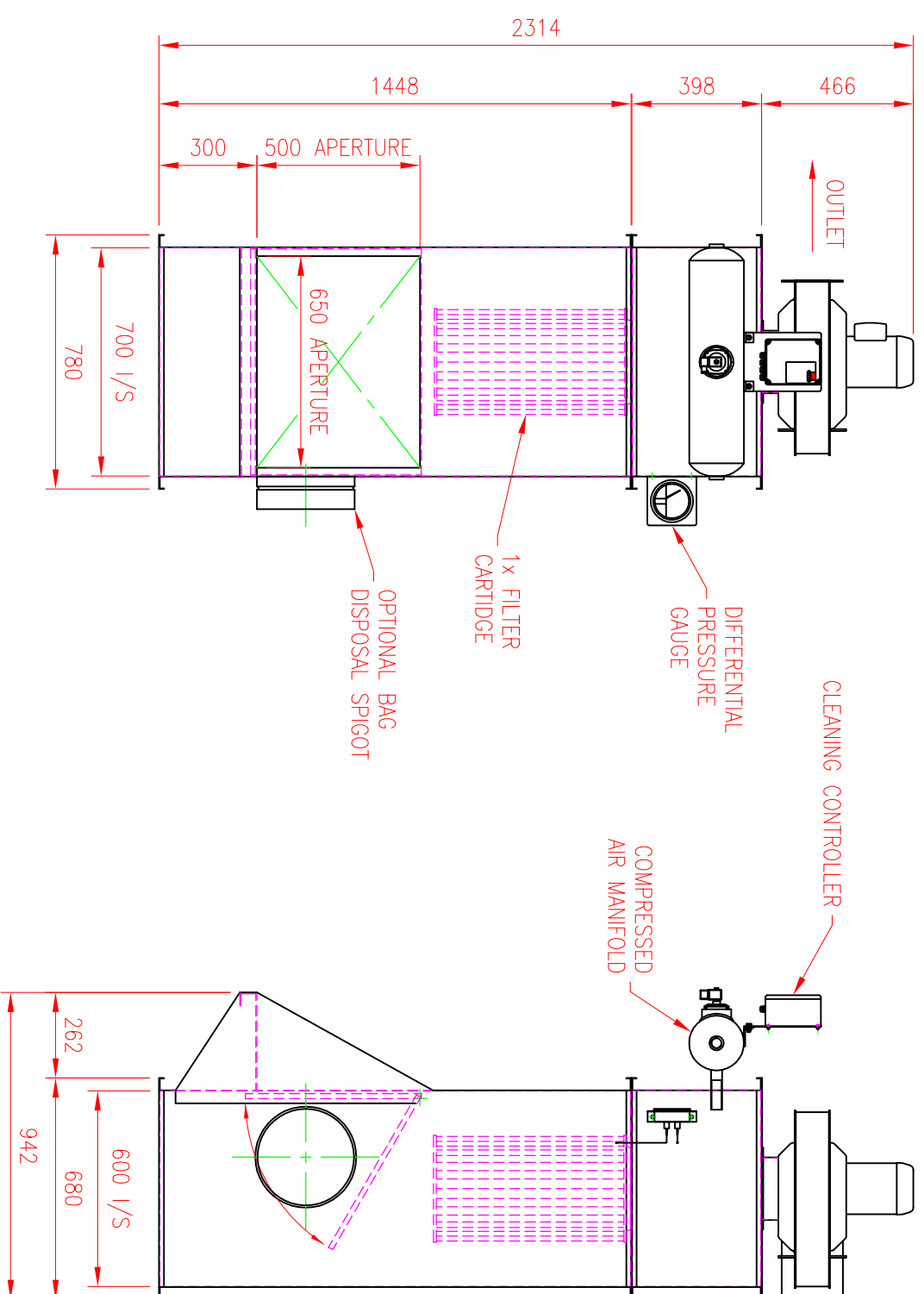
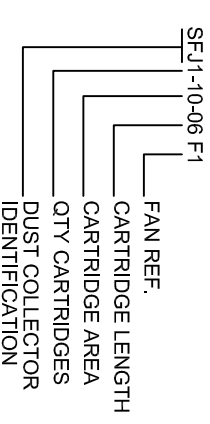
FILTER MEDIA

Various Media Systems Available To Suit Dust Characteristics. (See Quotation).

OPTIONS:

- ATEX Certified
- Differential Pressure Monitor
- Filter Regulator
- Explosion Relief
- Stainless Steel
- Special Paint Finish
- Alternative Electrical Supplies
- Fan Silencer

MODEL NOMENCLATURE EXPLANATION



BAG TIP UNIT 328 SERIES

Title:

Drawn: J.C.

Date: 07/01/11

Drawing No:

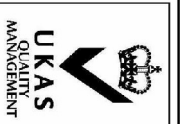
D18

Rev: H

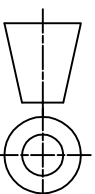
DUSTCHECK

**DUST COLLECTORS
 DUST CONTROL SYSTEMS
 CARTRIDGE FILTER ELEMENTS
 MAINTENANCE & COSHH SURVEYS**

Web : www.dustcheck.co.uk
 Email : sales@dustcheck.co.uk
 Phone : 01782 599454



Certificate No: 4064/03



This drawing is private and confidential and is the property of Dustcheck LTD. It must not be copied or loaded or used for manufacturing or tendering purposes without the written consent of Dustcheck LTD.