

TECHNICAL SPECIFICATION

ELECTRICAL SUPPLY:
Cleaning controller - 24V DC / 110/230V 1ph 50hz (by client)
Solenoid Valve - 24V DC

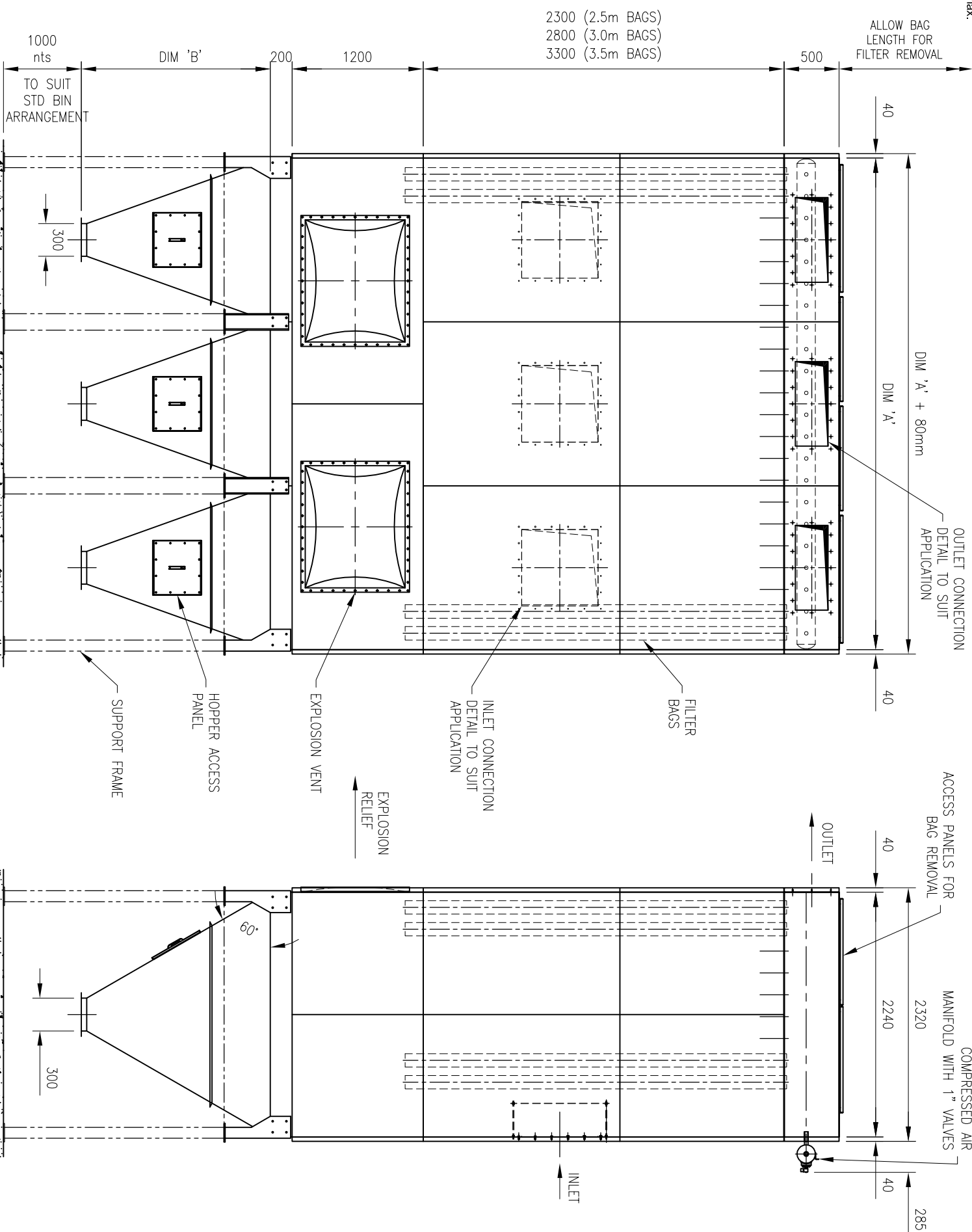
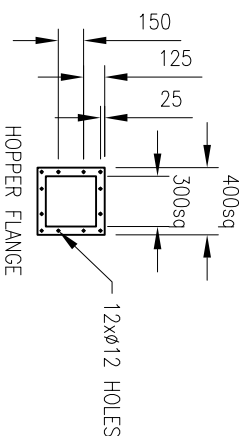
CONSTRUCTION:
Material- Mild Steel
Finish- Ra1/7032, Light Grey

Vacuum & Pressure Rating - 500mm wg
CSR (clean slide removal) - Filter removal from above

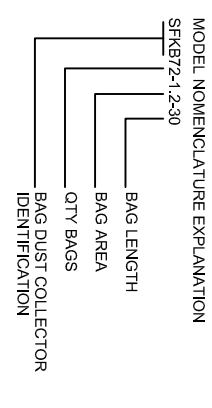
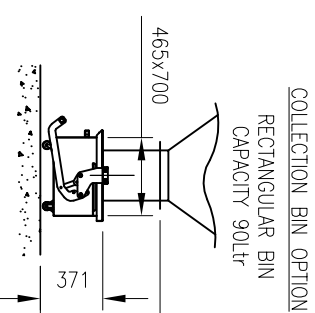
COMPRESSED AIR:
Pressure- 6 bar max.

OPTIONS:

- ATEX Certified
- Differential Pressure Monitor
- Filter Regulator
- Explosion Relief
- Special Paint Finish
- Bin Liner Facility
- Rotary Valve
- Screw Conveyor
- Alternative Electrical Supplies
- Access Ladder & Handrailing



Model	Total Filter Area (m ²)			'A' Dim	'B' Dim	No. of Hoppers	No. of Inlets/ Outlets
	Bag Length / Bag Area	3.0m ² /1.2m ² (x9)	3.5m ² /1.4m ² (x8)				
SFKB48 - X - X	2.5m ² /1.0m ² (x9)	3.0m ² /1.2m ² (x9)	3.5m ² /1.4m ² (x8)	1450	2000	1	1
SFKB54 - X - X	-	64.8	67.2	1450	2000		
SFKB56 - X - X	-	-	78.4	1650	2095		
SFKB63 - X - X	-	63.0	75.6	1650	2095		
SFKB64 - X - X	-	-	89.6	1850	2200		
SFKB72 - X - X	-	72.0	86.4	1850	2200		
SFKB72 - X - X	-	-	100.8	2050	2310	2	2
SFKB81 - X - X	-	81.0	97.2	2050	2310		
SFKB80 - X - X	-	-	112.0	2250	2430		
SFKB90 - X - X	-	90.0	108.0	2250	2430		
SFKB88 - X - X	-	-	123.2	2450	1965		
SFKB99 - X - X	-	99.0	118.8	2450	1965		
SFKB96 - X - X	-	-	134.4	2650	1965	3	3
SFKB108 - X - X	-	108.0	129.6	2650	1965		
SFKB104 - X - X	-	-	145.6	2850	2035		
SFKB117 - X - X	-	117.0	140.4	2850	2035		
SFKB112 - X - X	-	-	156.8	3050	2035		
SFKB126 - X - X	-	126.0	151.2	3050	2035		
SFKB120 - X - X	-	-	168.0	3250	2130	4	4
SFKB135 - X - X	-	135.0	162.0	3250	2130		
SFKB128 - X - X	-	-	179.2	3450	2130		
SFKB144 - X - X	-	144.0	172.8	3450	2130		
SFKB136 - X - X	-	-	190.4	3650	2240		
SFKB153 - X - X	-	153.0	183.6	3650	2240		
SFKB144 - X - X	-	-	201.6	3850	2240	5	5
SFKB162 - X - X	-	162.0	194.4	3850	2240		
SFKB152 - X - X	-	-	212.8	4050	2355		
SFKB171 - X - X	-	171.0	205.2	4050	2355		
SFKB160 - X - X	-	-	224.0	4250	2355		
SFKB180 - X - X	-	180.0	216.0	4250	2355		
SFKB168 - X - X	-	-	235.2	4450	2475	6	6
SFKB189 - X - X	-	189.0	226.8	4450	2475		
SFKB176 - X - X	-	-	246.4	4650	2070		
SFKB198 - X - X	-	237.6	257.6	4650	2070		
SFKB184 - X - X	-	-	257.6	4850	2130		
SFKB207 - X - X	-	248.4	268.8	4850	2130		
SFKB192 - X - X	-	-	268.8	5050	2130	3	3
SFKB216 - X - X	-	259.2	280.0	5050	2130		
SFKB200 - X - X	-	-	280.0	5250	2170		
SFKB225 - X - X	-	270.0	291.2	5250	2170		
SFKB208 - X - X	-	-	291.2	5450	2240		
SFKB234 - X - X	-	280.8	302.4	5450	2240		
SFKB216 - X - X	-	-	302.4	5650	2240	2	2
SFKB243 - X - X	-	291.6	313.6	5650	2240		
SFKB224 - X - X	-	-	313.6	5850	2380		
SFKB252 - X - X	-	302.4	324.8	5850	2380		
SFKB232 - X - X	-	-	324.8	6050	2355		
SFKB281 - X - X	-	313.2	336.0	6050	2355		
SFKB240 - X - X	-	-	336.0	6250	2355		
SFKB270 - X - X	-	324.0	-	6250	2355		



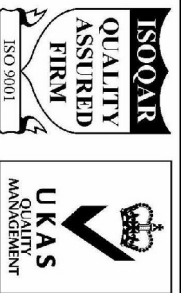
COLLECTION BIN OPTION
RECTANGULAR BIN
CAPACITY 90Lit

MODEL NOMENCLATURE EXPLANATION
SFKB7-2-1-2-30

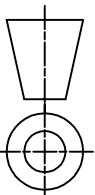
DUSTCHECK

**DUST COLLECTORS
DUST CONTROL SYSTEMS
CARTRIDGE FILTER ELEMENTS
MAINTENANCE & COSHH SURVEYS**

Web : www.dustcheck.co.uk
Email : sales@dustcheck.co.uk
Phone : 01782 599454



Certificate No. 4064/03



This drawing is private and confidential and is the property of Dustcheck LTD. It must not be copied or loaded or used for manufacturing or tendering purposes without the written consent of Dustcheck LTD.

Title:

**MAXIBAG SERIES
8 & 9 DEEP BAG DUST COLLECTOR
WITH EXPLOSION RELIEF**

Drawn: R.G.

Date: 29/4/14

Drawing No:

D205

Rev: **A**